

**FEATURES**

- ✘ Sealed IP67
- ✘ Long life of 10million
- ✘ Variety of actuator lengths

**APPLICATION**

- ✘ Music instrument
- ✘ Intercom system
- ✘ Industrial

**SPECIFICATION**

Contact Rating	0.5~50mA, 24V DC
Contact Resistance	30mΩ max.
Insulation Resistance	10MΩ min. 100V DC
Dielectric Strength	250V AC/1 minute
Operating Force	300±75gf
Travel	1±0.5mm
Operating Life	10,000, 000 cycles
Operating Temp.	-40°C ~ +160°C
Storage Temp.	-40°C ~ +160°C

**HOW TO ORDER**

TL  -    4  - Q -

Solder Type:  
=Through Hole  
M=SMT  
A=Right Angle

Cover Type:  
A=Low  
B=Height(Without TLA Type)

Layer of Button:  
1=1 Layer(6.4mm Only)  
2=2 Layer(Without TL-B Type)

Package :  
B=Tube(For Through Hole Type)  
T/R=Tape & Reel(For SMT Type)

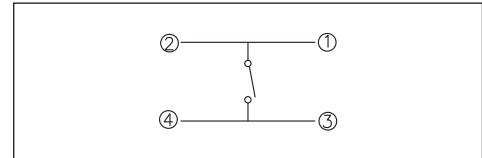
Halogen Free

Button Color:  
W=White K=Black

Operating Force : 300gf

Total Height:  
1 Layer:1=6.4mm  
2 Layer:2=8.0mm 3=9.5mm 4=10.4mm  
5=11.0mm 6=12.0mm 7=15.0mm

**CIRCUIT**

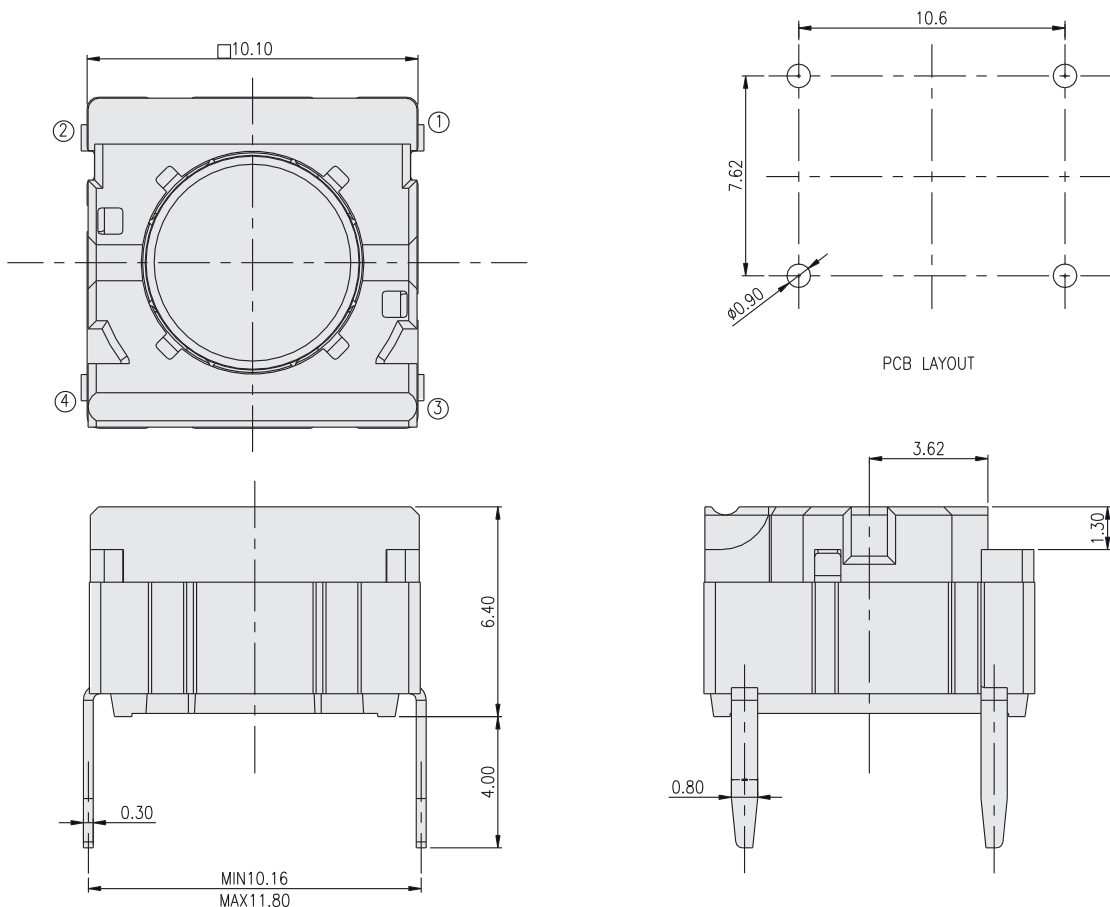


**PACKAGE**

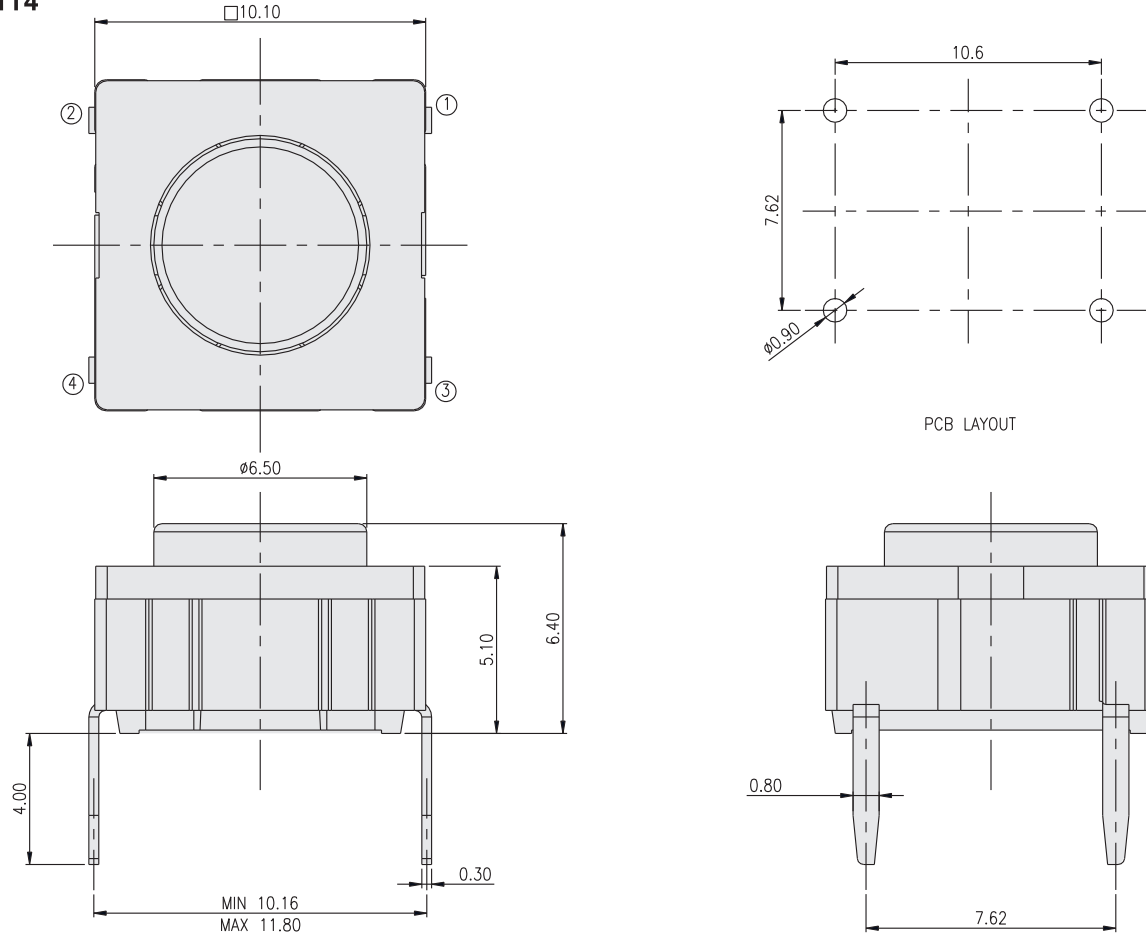
<Tube>  
TL-A/TL-B/TLA-A: 45 pcs  
<Tape & Reel>  
TLM-A/TLM-B: 650 pcs

TACT SWITCH

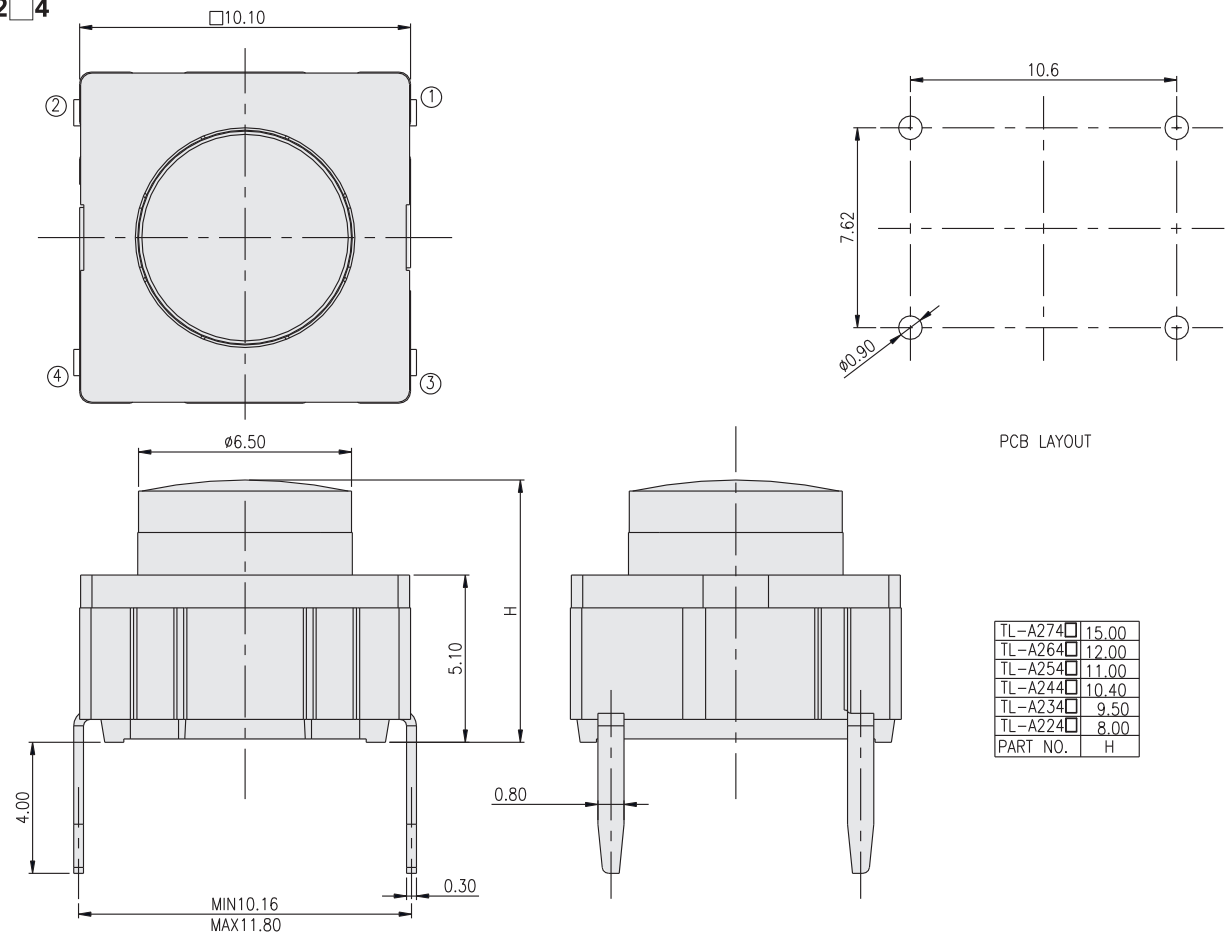
**TL-B114**



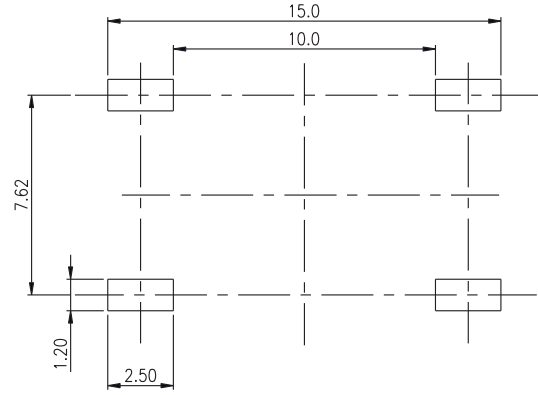
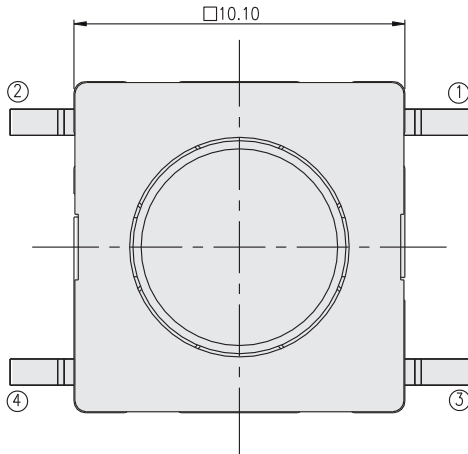
**TL-A114**



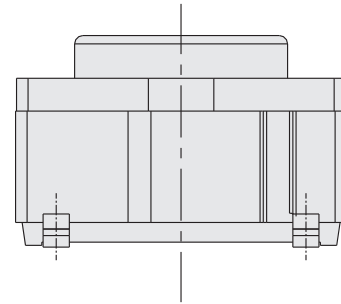
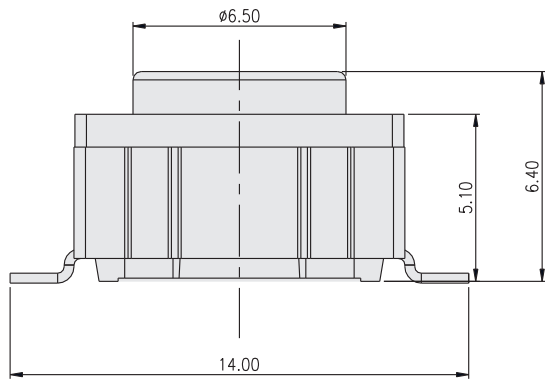
**TL-A2**  $\square 4$



TLM-A114

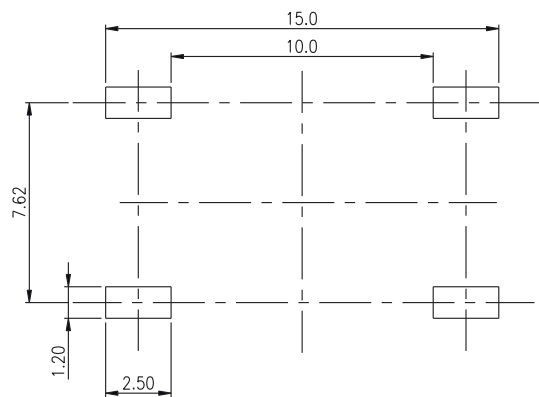
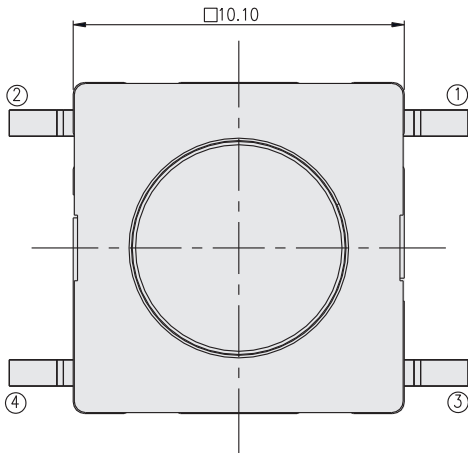


PCB LAYOUT

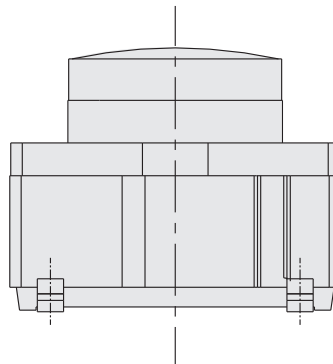
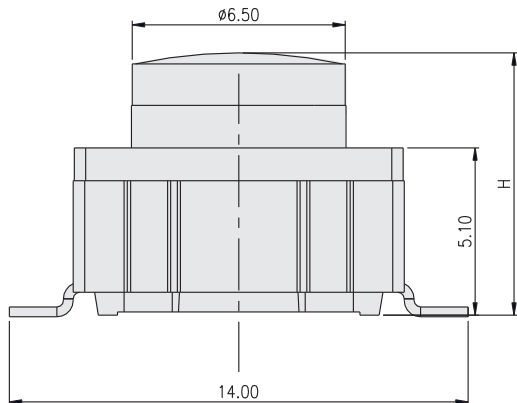


TACT SWITCH

TLM-A2□4

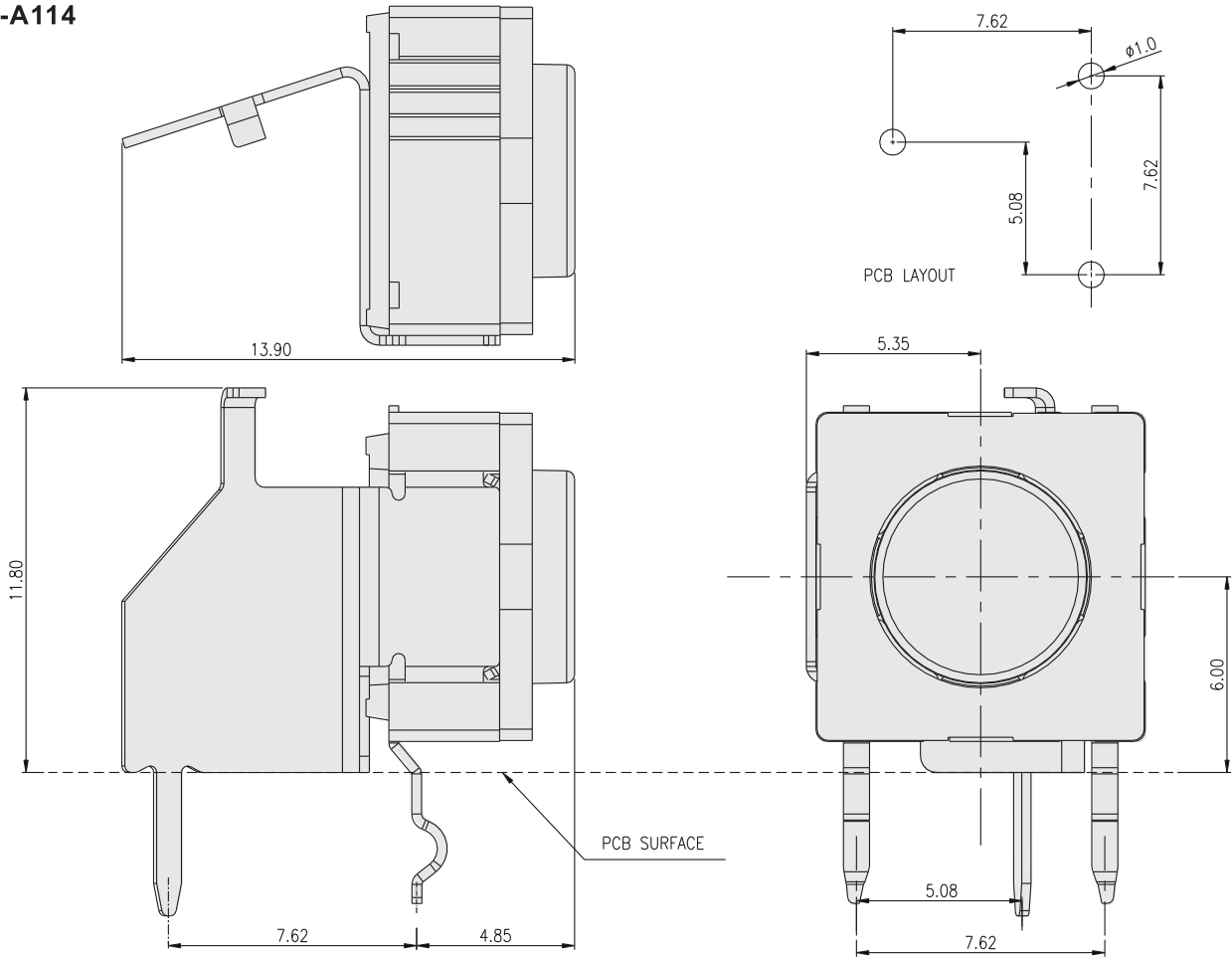


PCB LAYOUT

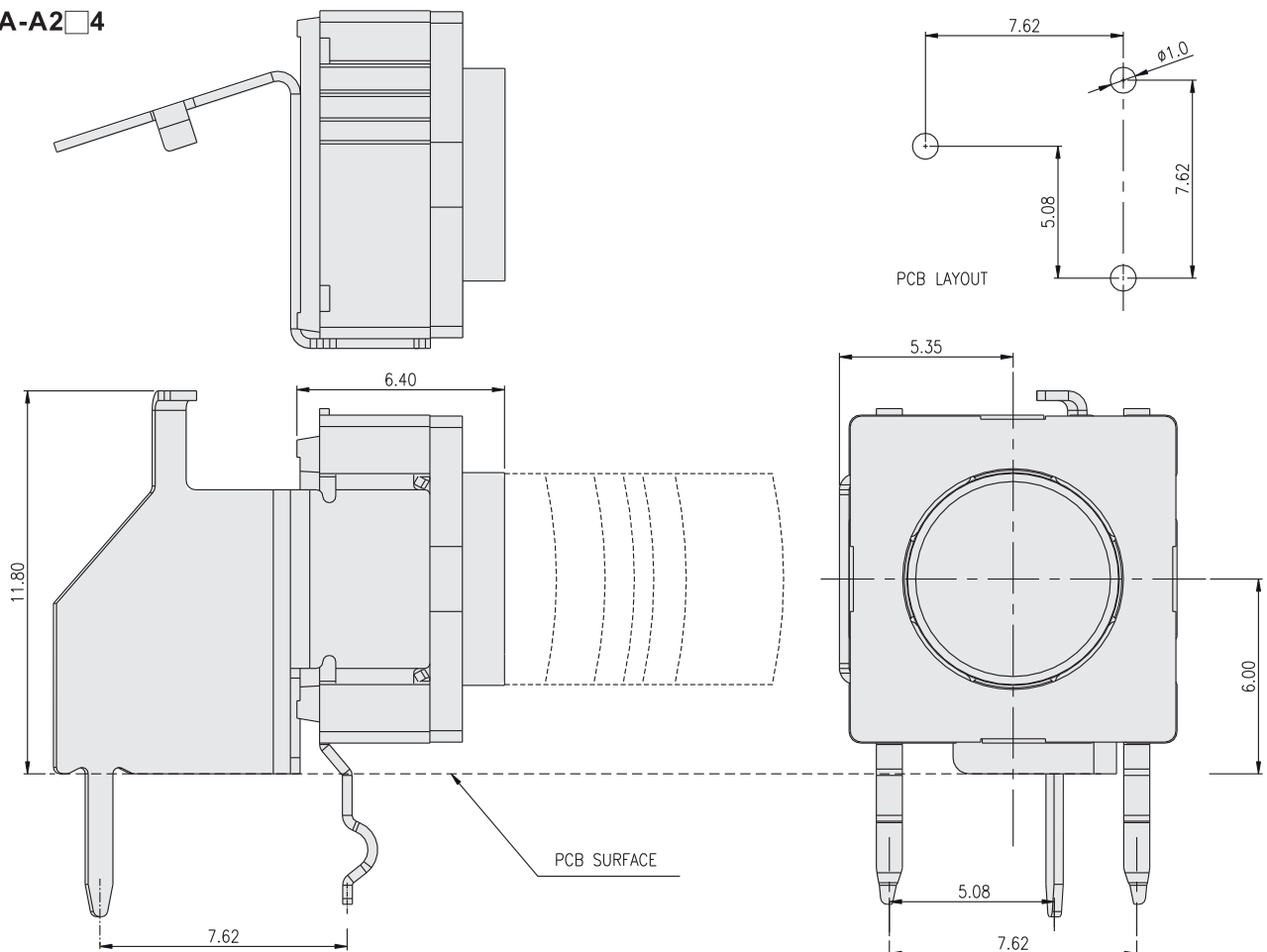


TLM-A274□	15.00
TLM-A264□	12.00
TLM-A254□	11.00
TLM-A244□	10.40
TLM-A234□	9.50
TLM-A224□	8.00
PART NO.	H

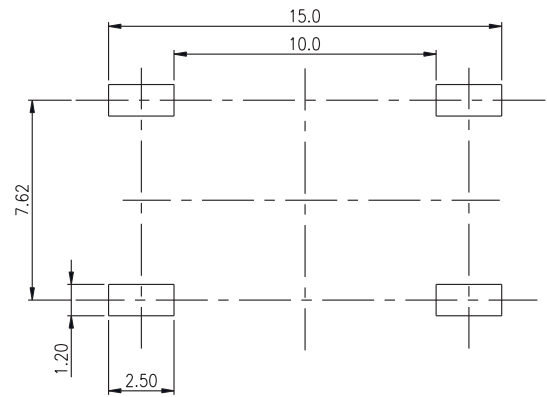
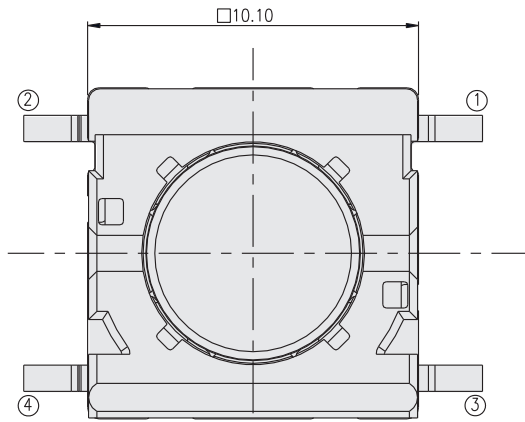
TLA-A114



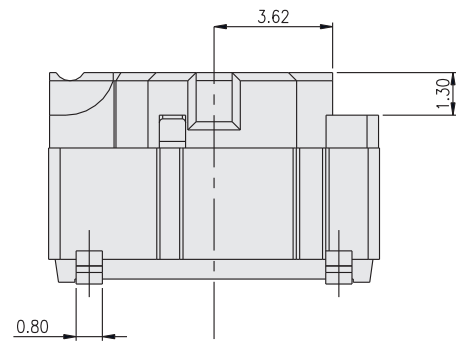
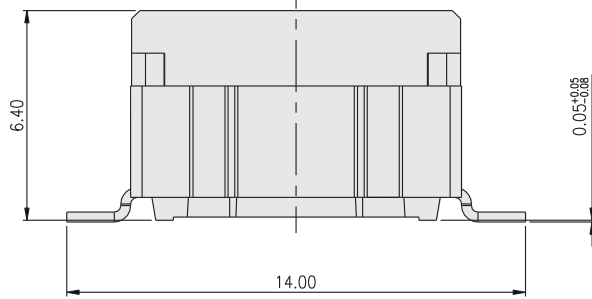
TLA-A2□4



TLM-B114



PCB LAYOUT



TACT SWITCH